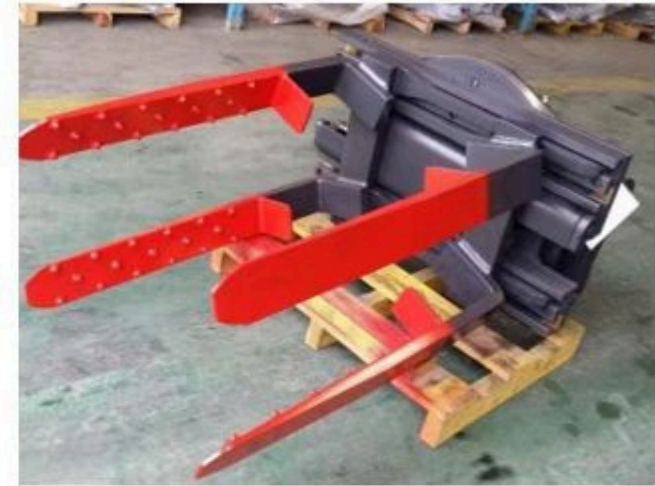
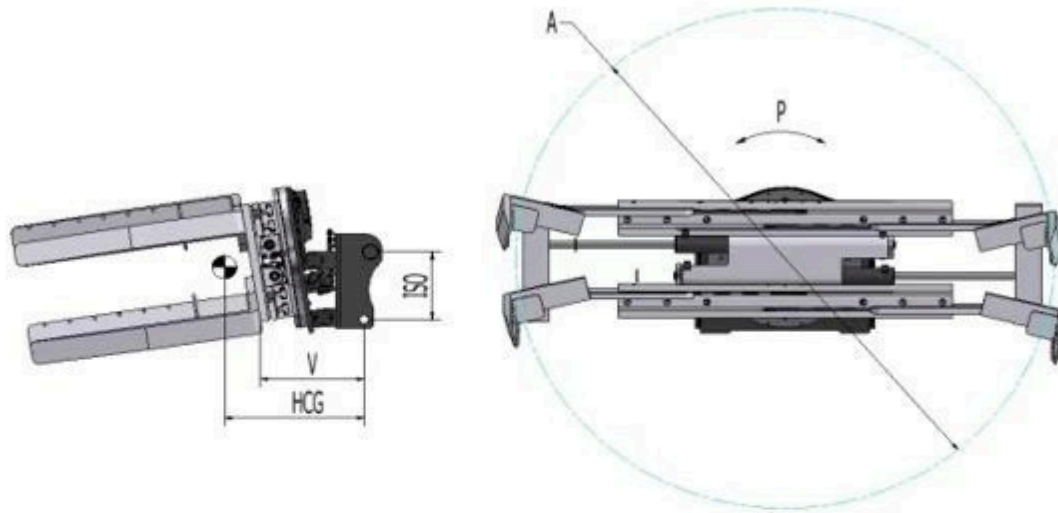


Four-teeth Tyre Handler



Catalog Order NO.	Capacity Kg	Body rotate (p)	A	ISO	Horizontal Center of Gravity HCG	Effective Thickness V	Weight	Forklift Truck
20C-TFC-B001	2000	360°	640-1940	III	315	323	884	3
25C-TFC-B002	2500	360°	670-2100	III	368	342	970	3-4.5
30C-TFC-B003	3000	360°	745-2500	V	376	355	1150	5
35C-TFC-T005	3500	360°	1100-3000	V	376	356	1240	5-6